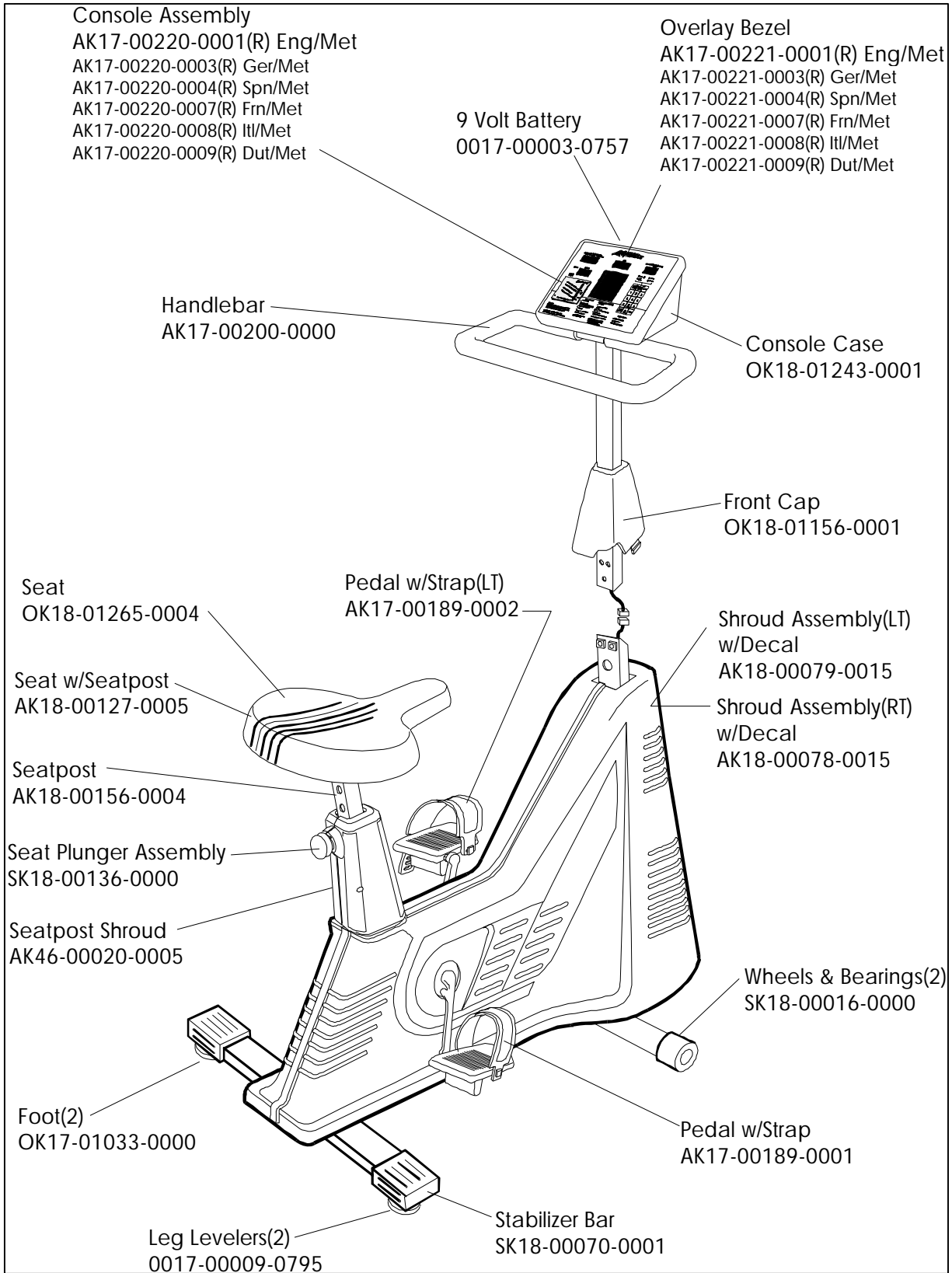


**LC-8500(BELT)
EXERCISE BIKE**

END OF LIFE

GE09-00031-XXXX



**LC-8500(BELT)
EXERCISE BIKE**

GE09-00031-XXXX

